



# C Prox Ltd (inc Quantek)

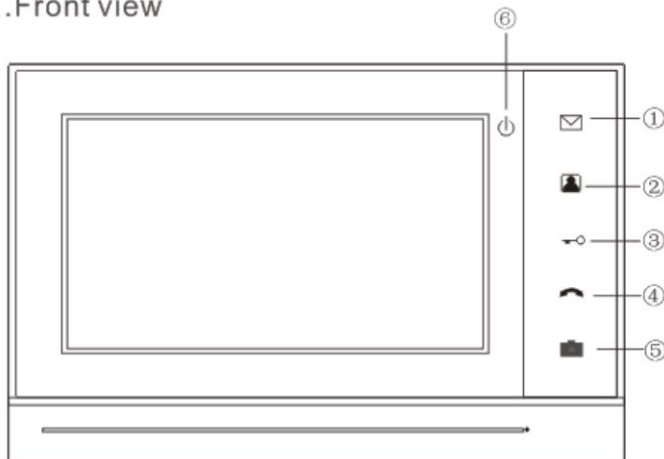
11 Callywhite Business Park, Callywhite Lane, Dronfield, S18 2XP

+44(0)1246 417113 sales@cproxltd.com www.quantek.co.uk

## D6A9 Indoor Monitor

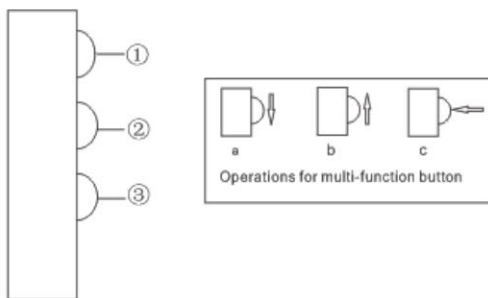


1. Front view



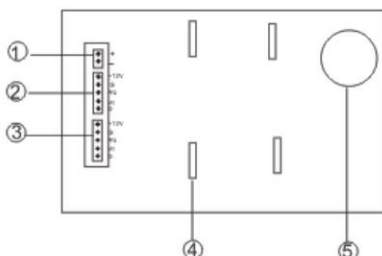
- ① Function button
- ② Monitor button
- ③ Unlock button
- ④ Answer button
- ⑤ Setting Ringtone
- ⑥ Power indicator

2. Side view



- ① Multi-function button
  - a. At status, press "Monitor" button to wake up screen, turn down will be into newest photo record.
  - At setting status, is increase button or play next video.
  - b. At status, press "Monitor" button to wake up screen, turn up will be into latest photo record.
  - At setting status, is reduce button or play last video.
  - c. At status, press "Monitor" button to wake up screen, turn inner to enter setting menu.
  - At setting status, turn inner to enter next item.
- ② Adjust ring tone volume
- ③ Adjust intercom volume

3. Rear view



- ①. Connect with adaptor
- ②. Connect with outdoor station
- ③. Connect with others indoor phones
- ④. Wall hand up port
- ⑤. Speaker

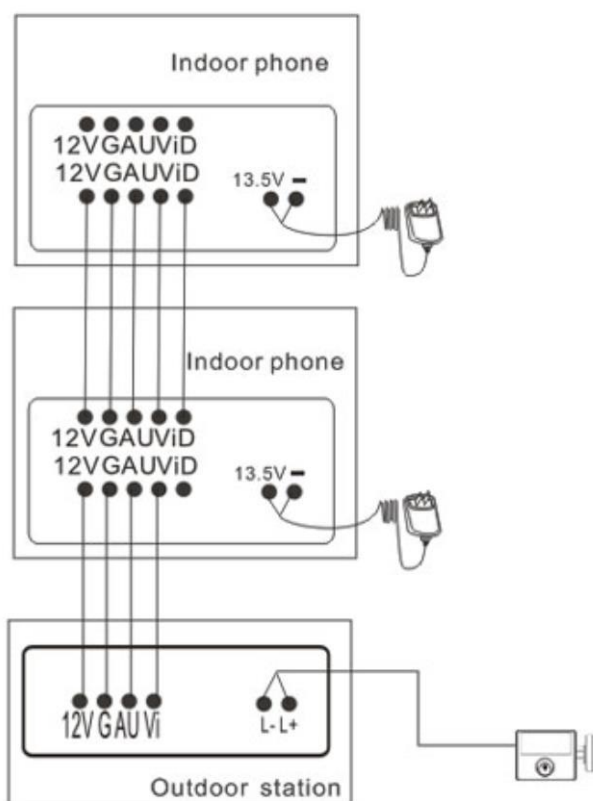
## Functions:

- Two way communication
- Auto shut down
- Time and date display
- Internal call between door phone
- Adjustable colour, intercom volume and ring tone volume
- Remote unlock
- 3 ring tones
- Auto take photo record
- Auto take video record

## Specification:

Screen	7 inch LCD
Temperature	-25°C~40°C
Relative humidity	45%~95%
Atmospheric pressure	86Kpa~108Kpa
Working voltage	DC13.5V
Static current	20mA
Working current	400mA
Dimension	230*150*30mm
Installation size	Wall mounted
N.W	400g
Memory	2BG SD card

## Installation:



## Settings:

Press 'Monitor' button first to open screen and then press 'Multi-function' button as 'C' to enter setting menu.

1. Image adjustment: Turn 'Multi-function' button up/down to select brightness, contrast or chroma to change. Press as 'C' to confirm and then up/down to adjust. Press again as 'C' to confirm and move to next item.
2. Check video record: Choose 'Play'. Press 'Multi-function' button as 'C' to check, will display the latest video automatically. Turn 'Multi-function' button up/down to play previous or next video.
3. Check photos: Turn 'Multi-function' button up/down to check.
4. Date & time setting: Choose 'Date' or 'Time', turn 'Multi-function' button up/down to change date and time. Press as 'C' to confirm.

## Operation:

1. Answer: Press 'Answer' button to communicate with visitor when indoor phone rings.
2. Unlock: In talking or monitoring status, press 'Unlock' button to release door.
3. Monitor: In standby status, press 'Monitor' to view outside, press again to stop.
4. Intercom between indoor monitors: When connected with more than one indoor monitor, press 'Answer' button, the other indoor monitors will ring without image, press 'Answer' on the other monitor to converse. Longest talk time is 60 seconds.
5. Change ring tones: Press and hold 'Monitor' button until you hear the ring tone. Press 'Function' button to change ringing tones, then press 'Monitor' to confirm.
6. Adjust ring tone volume: Change ring tone volume with the second knob on side view.
7. Adjust intercom volume: Change intercom volume with the third knob on side view.