

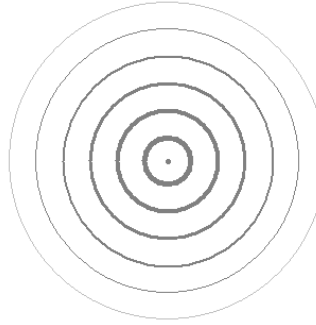
**Sensing area**

A single VD909s sensor on VD909m module has a read diameter of 1.5m diameter when installed to a depth of 300mm.

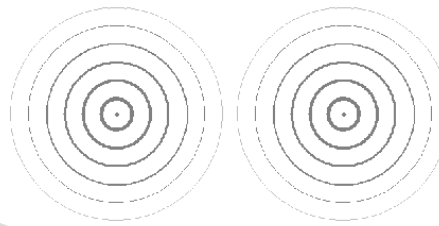
Two sensors wired in series to the same module have a reduced sensitivity of a 50% each, but if relatively close, will reinforce each other. The resulting sense area is twice the size but reduced sensitivity.

Double sensor patterns are useful to cover wider roadways where a vehicle might pass down either side of a single sensor.

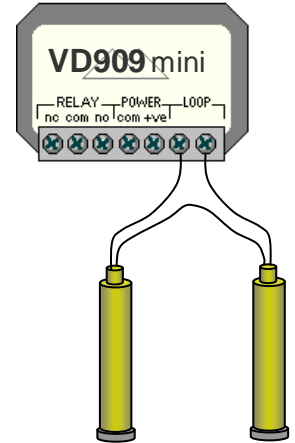
1.5m dia area



1m x 2.5m area



Two VD909S sensors wired in series



**Verge Mounting**

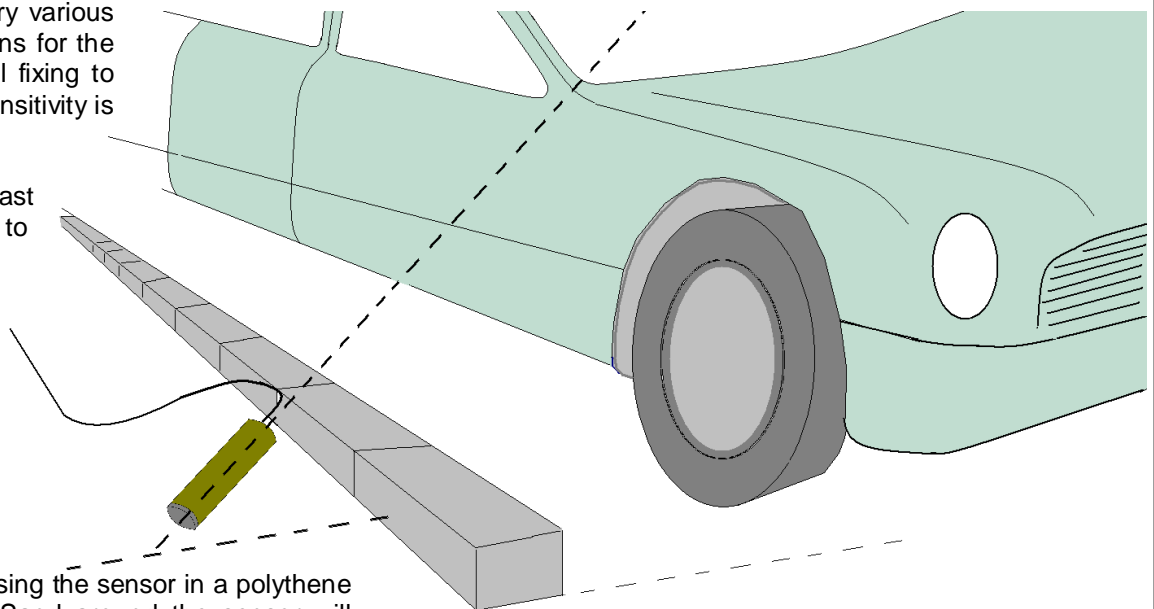
A VD909s sensor may be mounted at the side of the road, often in a soft verge. The sensor is mounted at an angle to the horizontal, such that the centre line passing through the sensor points at the centre of mass of the vehicle.

The distance of detection to the vehicle is 1.8m to 2.4m. We recommend using the VD950 detector so that you can increase the sensitivity above the normal setting.

It is advisable to try various angles and positions for the sensor before final fixing to be sure that the sensitivity is acceptable.

Drive the vehicle past at different speeds to be thorough.

The sensor cable is run back to the module in the soft verge.



We recommend housing the sensor in a polythene tube for protection. Sand around the sensor will prevent the sensor moving through vibration.

**Diablo Controls**

9 Vanalloys Estate  
Stoke Row  
Henley RG9 5QW