

PSU-BB-12V-5A

Specification

INPUT	Voltage	190 - 265VAC
	Frequency	50 or 60Hz
OUTPUT	Voltage (AC mode)	13.8V \pm 2%
	Voltage (BT mode)	Same as battery voltage
	Rated Current	5A
	Rated Power	80W (with charging)
BATTERY	Battery Type	12V lead acid
	Charge Voltage	13.8V \pm 2%
	Charge Current	800mA
PROTECTION	Input Fuse	2A / 250VAC
	Overload	6A \pm 5%
	Over Voltage	16V \pm 5%
	Deep Discharge	10V \pm 2%
	Short Circuit	Hiccup mode
TEMPERATURE	Work: -20 ~ 50°C	Storage: -30 ~ 80°C
HUMIDITY	Work: 20 ~ 80%RH	Storage: 10 ~ 90%RH
METAL BOX	265 x 195 x75mm	

LED Indicator

Status LED	On	Off	Flickering
RED	Input OK	Input Failure	—
GREEN	Output OK	Output Failure	—
YELLOW	Battery Fully Charged	Battery Discharging	Battery Charging

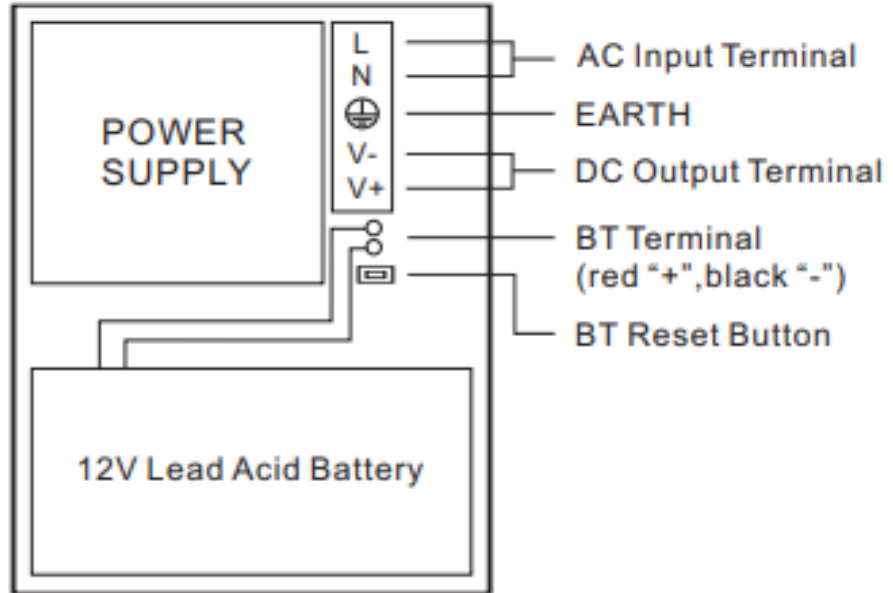
Noted: All LED indicators flickering when short circuit or overload occurs.



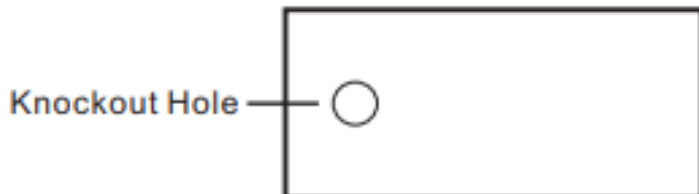
PSU-BB-12V-5A

Wiring Diagram

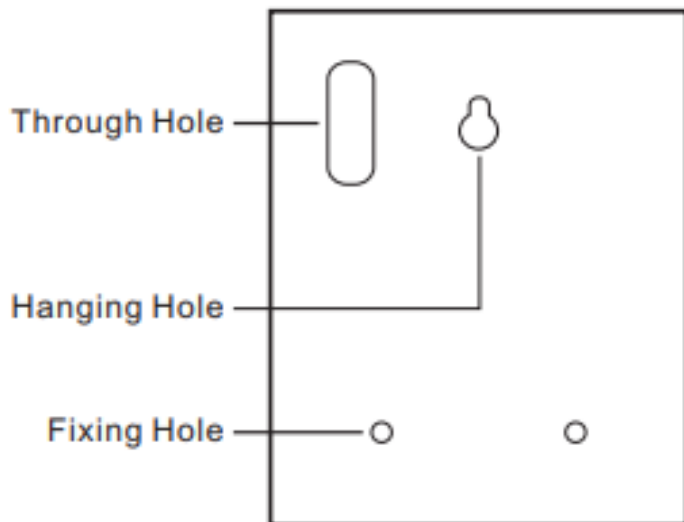
Internal



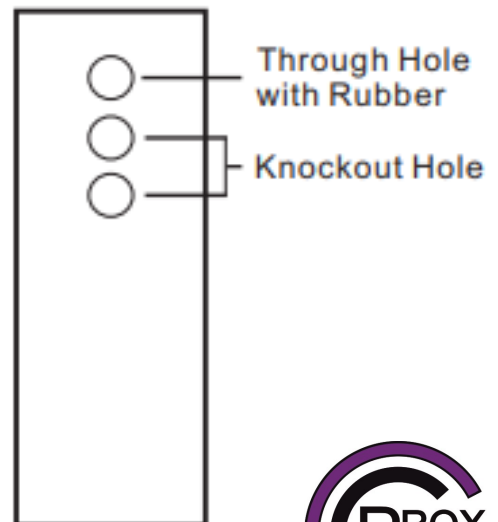
Top Side



Back Side



Right Side



PSU-BB-12V-5A

Warning

- ▶ The power supply must be operated by qualified person only.
- ▶ Do not open the shield. Please return to the manufacture if any problem.
- ▶ The power supply is intended to use indoor only.
- ▶ Use only rechargeable sealed lead acid battery according to the specification requirement.
- ▶ When the battery is replaced, either restart the AC power or press the "BT Reset" button to activate the new battery.
- ▶ Please use good/new battery to activate the charging circuit. Bad battery will cause deep discharge protection.

Installation Instructions

WARNING!!!

Please ensure the AC power is off before any operation.

- ▶ Use hanging hole to hang PSU and apply M3 screws to fixing holes to mount the PSU.
- ▶ Connect the load device to DC output terminals (V+, V-), as shown in wiring diagram.
- ▶ If applicable, connect red and black battery cables to battery terminals, red cable: +, black cable: -
- ▶ Connect AC power to the input terminal in accordance with L, N, and Earth. Tighten the screws to ensure solid connection. The PSU must be proper grounded to avoid any hazards or faulty functions.
- ▶ Turn on the PSU to check the LED indicators to ensure the PSU is working properly.

