

SLIM

Wired Intercom System



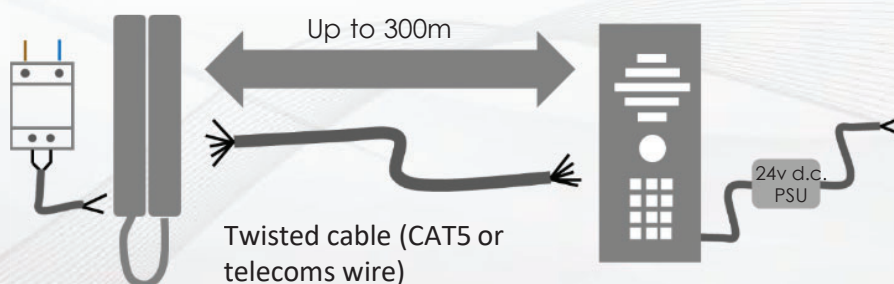
- Wired audio intercom system.
- Up to 4 handsets per system.
- Curved profile stylish handset available in black or white.
- Up to 300m on shielded cat 5 cable.
- Handsets available in classic or handsfree options.
- Intercall between handsets.

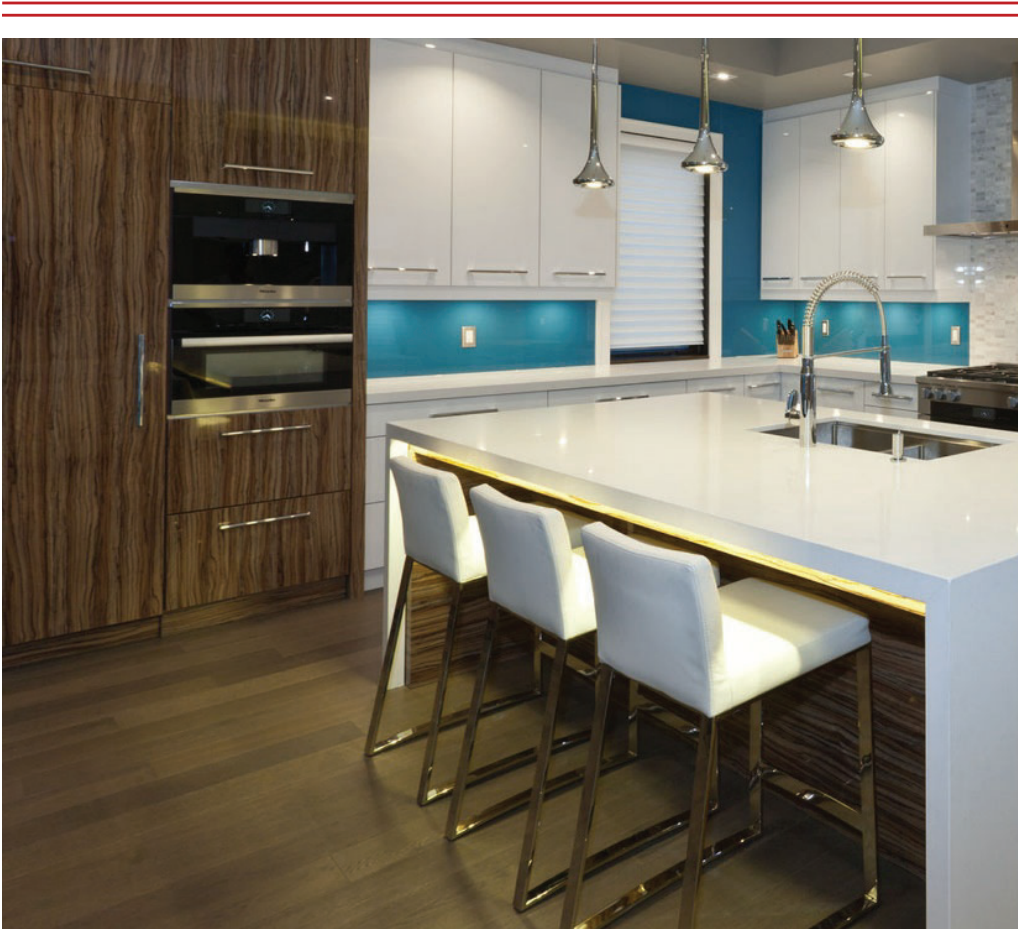
Technical Details

Power	24v dc
Working Distance	300m on 24AWG CAT5 cable
Weather Rating	IP55
Wiring	3 Wire or 5 wire option
Max Handsets	4
Relay Type	N/O momentary 4 second pulse

Indoor Speech Unit

Outdoor Speech Unit





* Handset Options Available



- ▶ **SLIM-CL-AB (Classic Handset Black)**
- ▶ **SLIM-CL-AB-W (Classic Handset White)**
- ▶ **SLIM-HF-AB (Handsfree Handset Black)**
- ▶ **SLIM-HF-AB-W (Handsfree Handset White)**

Stylish curved architectural model, featuring modern blue back lighting effect, constructed from BS316 marine grade, brushed stainless steel with gloss acrylic trim.

* Kit includes speech panel, one handset, power supply and manual.

* Handset Options Available



- ▶ **SLIM-CL-AS (Classic Handset Black)**
- ▶ **SLIM-CL-AS-W (Classic Handset White)**
- ▶ **SLIM-HF-AS (Handsfree Handset Black)**
- ▶ **SLIM-HF-AS-W (Handsfree Handset White)**

Stylish curved architectural model, featuring contemporary white back lighting effect, constructed from BS316 marine grade, brushed stainless steel.

* Kit includes speech panel, one handset, power supply and manual.

* Handset Options Available



- ▶ **SLIM-CL-IMP (Classic Handset Black)**
- ▶ **SLIM-CL-IMP-W (Classic Handset White)**
- ▶ **SLIM-HF-IMP (Handsfree Handset Black)**
- ▶ **SLIM-HF-IMP-W (Handsfree Handset White)**

Ultra stylish hooded model. All black panel with textured powder coated aluminium hood and gloss black acrylic facia trim over a tough metal back plate, with white illuminated push button. * Kit includes speech panel, one handset, power supply and manual.

* Handset Options Available



- ▶ **SLIM-CL-ABK (Classic Handset Black)**
- SLIM-CL-ABK-W (Classic Handset White)**
- SLIM-HF-ABK (Handsfree Handset Black)**
- SLIM-HF-ABK-W (Handsfree Handset White)**

Stylish curved architectural model, with built in illuminated code-lock keypad for access control. Keypad includes 3 relays with latching and momentary operation and many more features. BS316 marine grade, brushed stainless steel construction with gloss acrylic trim and blue back lighting effect. * Kit includes speech panel, one handset, power supply and manual.

* Handset Options Available



- ▶ **SLIM-CL-ASK (Classic Handset Black)**
- SLIM-CL-ASK-W (Classic Handset White)**
- SLIM-HF-ASK (Handsfree Handset Black)**
- SLIM-HF-ASK-W (Handsfree Handset White)**

Stylish curved architectural model, with built in illuminated code-lock keypad for access control. Keypad includes 3 relays with latching and momentary operation and many more features. BS316 marine grade, brushed stainless steel construction with white back lighting. * Kit includes speech panel, one handset, power supply and manual.

* Handset Options Available



- ▶ **SLIM-CL-IMPK (Classic Handset Black)**
- SLIM-CL-IMPK-W (Classic Handset White)**
- SLIM-HF-IMPK (Handsfree Handset Black)**
- SLIM-HF-IMPK-W (Handsfree Handset White)**

Hooded model with built in illuminated code-lock keypad for access control. Keypad includes 3 relays, 1200 codes with latching and momentary operation and more. Stylish all black panel with textured powder coated aluminium hood and gloss black acrylic facia trim over a tough metal back plate. * Kit includes speech panel, one handset, power supply and manual.

Industrial Panel Options

* Handset Options Available



- ▶ **SLIM-CL-IMP-PED (Classic Handset Black)**
- SLIM-CL-IMP-PED-W (Classic Handset White)**
- SLIM-HF-IMP-PED (Handsfree Handset Black)**
- SLIM-HF-IMPK-PED-W (Handsfree Handset White)**

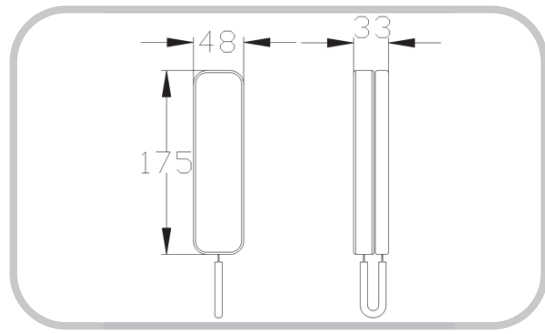
Hooded model with built in illuminated code-lock keypad for access control. Keypad includes 3 relays, 1200 codes with latching and momentary operation and more. Stylish all black panel with textured powder coated aluminium hood and gloss black acrylic facia trim over a tough metal back plate. * Kit includes speech panel, one handset, power supply and manual.

* Handset Options Available



- ▶ **SLIM-CL-IMPK-PED (Classic Handset Black)**
- SLIM-CL-IMPK-PED-W (Classic Handset White)**
- SLIM-HF-IMPK-PED (Handsfree Handset Black)**
- SLIM-HF-IMPK-PED-W (Handsfree Handset White)**

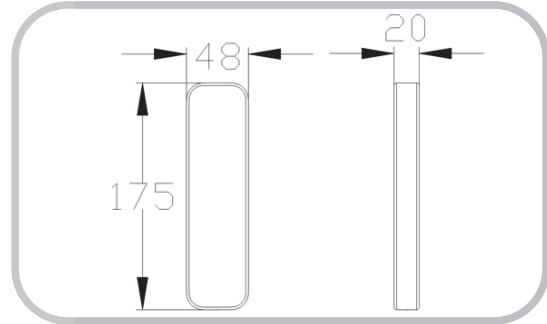
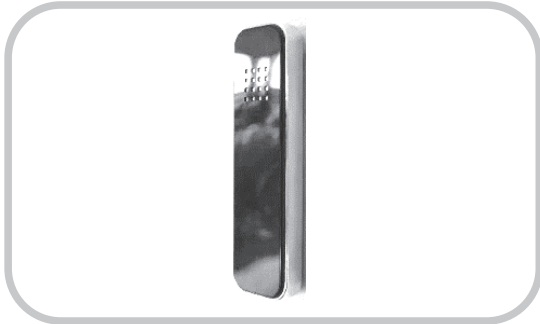
Hooded model with built in illuminated code-lock keypad for access control. Keypad includes 3 relays, 1200 codes with latching and momentary operation and more. Stylish all black panel with textured powder coated aluminium hood and gloss black acrylic facia trim over a tough metal back plate. * Kit includes speech panel, one handset, power supply and manual.



SLIM-CL-EH-B

Black corded handset.

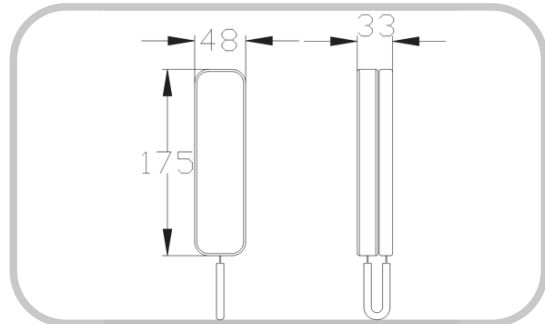
Add up to 3 extra handsets to any kit (total 4 per system) for larger homes or premises.



SLIM-HF-EH-B

Black handsfree handset.

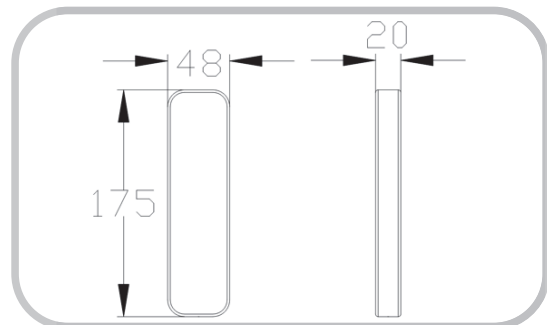
Add up to 3 extra handsets to any kit (total 4 per system) for larger homes or premises.



SLIM-CL-EH-W

White corded handset.

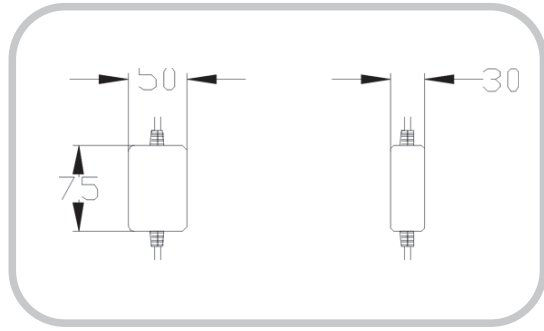
Add up to 3 extra handsets to any kit (total 4 per system) for larger homes or premises.



SLIM-HF-EH-W

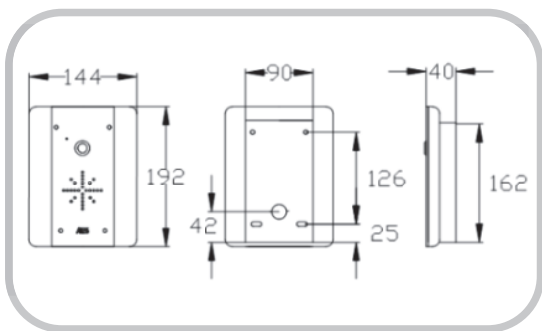
White handsfree handset.

Add up to 3 extra handsets to any kit (total 4 per system) for larger homes or premises.

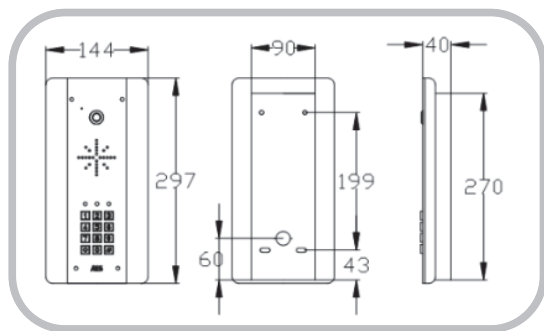


PSU-12V

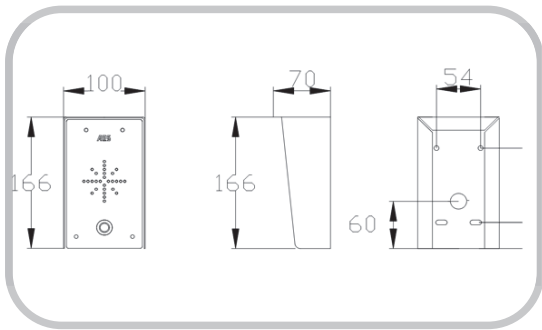
Additional 12V, 1 amp power supply for longer cable runs, especially required when call point has a keypad and the original PSU is located in the house or where there are multiple handsets.



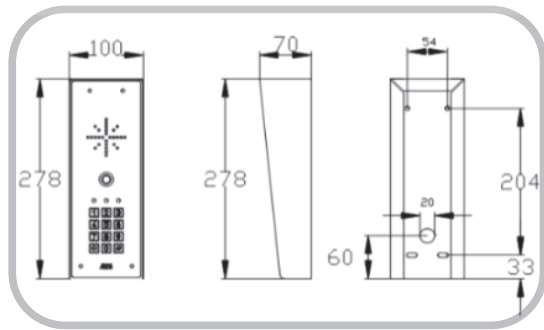
AB/AS PANEL



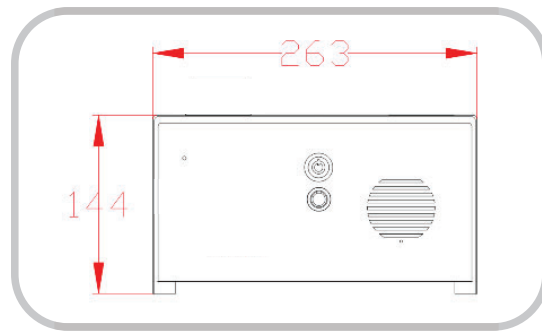
ABK/ASK PANEL



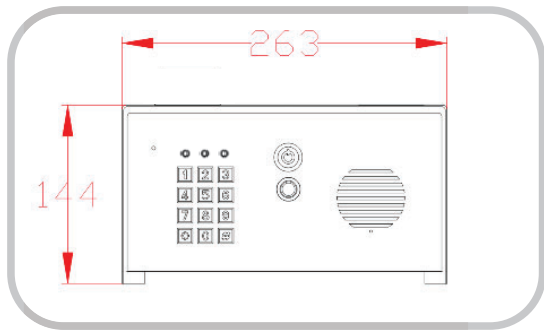
IMP PANEL



IMPK PANEL



IMP-PED PANEL



IMPK-PED PANEL