



# C Prox Ltd (inc Quantek)

Unit 11 Callywhite Business Park, Callywhite Lane, Dronfield, S18 2XP

+44(0)1246 417113 sales@cproxltd.com www.quantek.co.uk

## Single Channel GSM Remote Controller

### User Manual

#### SIM CARD BOOTING UP & SETTING ADMINISTRATOR NUMBER

1 THE SIM CARD TRAY IS LOCATED ON THE REAR OF THE UNIT. REMOVE THE COVER PLATE TO INSTALL THE SIM CARD, BEFORE REPLACING THE COVER.



2 AFFIX AND SECURE THE UNIT

5 NOW THE SYSTEM WILL SEARCH FOR A NETWORK, WHEN THE BLUE NETWORK LED PULSES EVERY 2-3 SECONDS THE SYSTEM IS ONLINE

6 NOW HOLD DOWN THE BUTTON FOR 3-5 SECONDS AND RELEASE, THE BLUE NETWORK LED STAYS PERMANENTLY ILLUMINATED

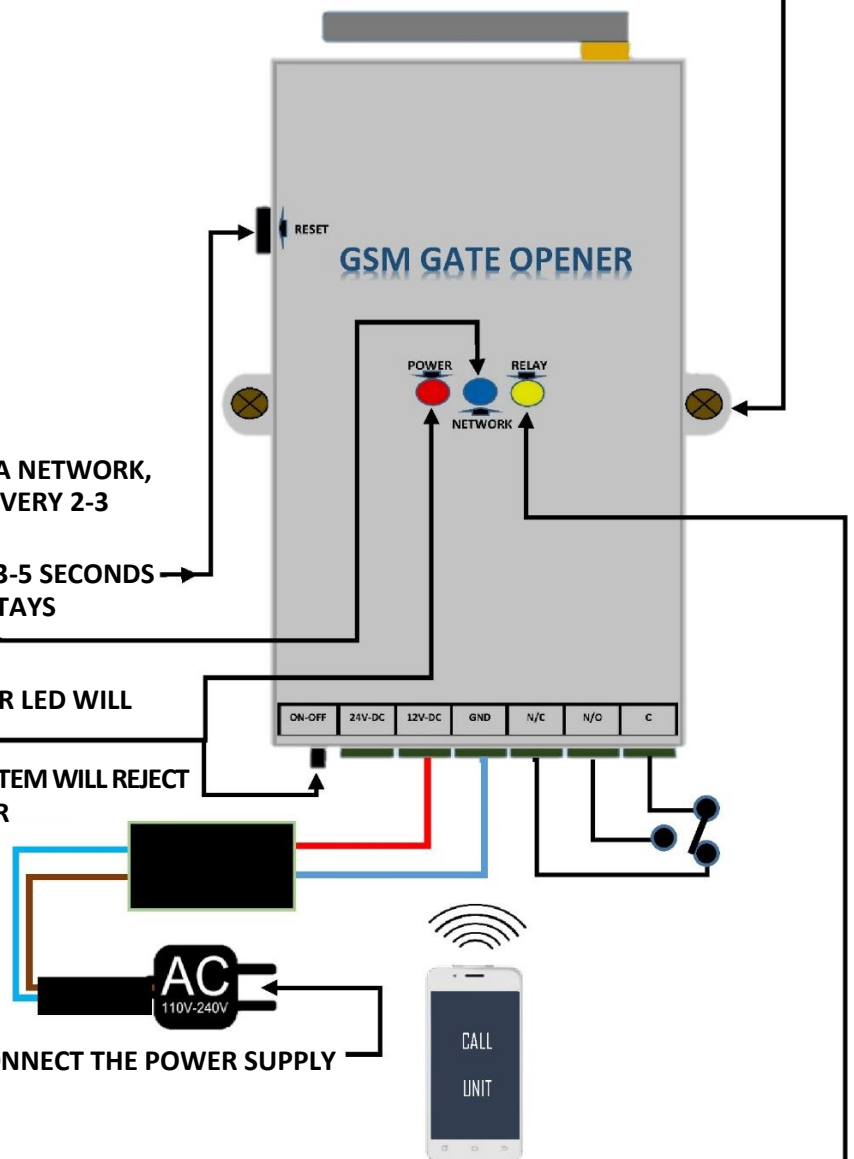
4 SWITCH THE UNIT ON, THE RED POWER LED WILL ILLUMINATE

7 CALL THE SIM CARD OF THE UNIT, THE SYSTEM WILL REJECT THE CALL AND REGISTER THE ADMINISTRATOR



8 THE UNIT WILL RESPOND WITH CONFIRMATION SMS OF THE ADMINISTRATOR NUMBER

3 CONNECT THE POWER SUPPLY



9 THE ADMINISTRATOR CAN NOW CALL THE UNIT AND THE RELAY WILL LATCH FOR 2 SECONDS AS DEFAULT AND THE YELLOW RELAY LED WILL ILLUMINATE

## SETTING UP THE SYSTEM

All SIM cards must be activated, have no PIN, and voicemail turned off.

Once you have installed the unit and inserted the SIM Card, you can now power up the system. The 3 LED lights will oscillate infrequently until the **BLUE LED** flashes every 2-3 seconds and the system is now online, connected to the network and can be programmed.

If the BLUE LED does not flash or stops flashing for periods of time, this is likely down to poor signal quality. You may need to fit a larger external antenna or try a different network.

The first thing to set up is the administrator who will be the only number that can program and change the parameters of the system.

You would hold down and release the reset button until the **BLUE LED** remains illuminated, you can now call the unit and the system will register the administrator number and return a similar SMS confirmation as **ADMIN SET OK 0784717000**.

The administrator can now program the system functions using the following instructions and SMS functions.

## PASSWORD

The system programming and parameters of the system are set up via SMS commands using a prefixed 4 digit password and the factory default password is **1234**.

To change this password to say **1212** you would send the following SMS command to the unit as: **1234CP1212** and you will receive an SMS confirmation as: **CP:1212**

For the remainder of these instructions we will refer to the **default password as 1234**.

## ADD CALLER ID NUMBERS

It is possible to add up to 1000 caller ID numbers into the system and to add the number **07847170001** you would send the following SMS command as: **1234AD07847170001#** and you will receive an SMS confirmation as: **SET OK!**

It is possible to add up to 8 telephone numbers in one SMS command. To do this, assuming you want to add 3 numbers as **1111111111 & 2222222222 & 3333333333** you would send the following command: **1234AD1111111111#2222222222#3333333333#**

## DELETE CALLER ID NUMBERS

It is also possible to delete up to 8 telephone numbers in one SMS command. To do this, assuming you want to delete 3 numbers as **1111111111 & 2222222222 & 3333333333** you would send the following command: **1234DD1111111111#2222222222#3333333333#** and you will receive an SMS confirmation as: **DEL OK**

It is possible to delete all the numbers in the caller ID list and to do this you would send the following SMS command: **1234FD** and receive the following SMS confirmation: **FD OK**

## THE SYSTEM HAS 3 LATCHING MODES:

MODE A: Latching the relay via voice call from 1 to 65,000 seconds with or without SMS confirmations.

MODE B: Latching the relay on & off via alternative voice call with or without SMS confirmations.

MODE E: Latching the relay on & off for 1 to 65,000 seconds, or latch on or off permanently via SMS.

(Mode C & D are for the 2 channel version only)

### MODE A

Mode A is the factory default function and allows the caller to activate the relay from 1 second up to 65,000 seconds. When programming this function it is possible to decide whether to receive SMS confirmations or not.

Factory default is Mode A with the relay latching time set to 3 seconds and the SMS confirmations disabled.

To program Mode A with the relay latching time set as 60 seconds and SMS confirmations enabled send the following command: **1234MA60#1** and receive SMS confirmation: **MA60#1 OK**

To program mode A with the relay latching time set as 1 hour and SMS confirmations disabled send the following command: **1234MA3600#0** and receive SMS confirmation: **MA3600#0 OK**

### MODE B

Mode B allows the caller to activate relay 1 on & off (toggle) with alternate phone calls and choose whether to receive SMS confirmations or not.

To program Mode B and enable SMS confirmations send the following command: **1234MB1#** and receive SMS confirmation: **MB1 OK.**

To program Mode B and disable SMS confirmations send the following command: **1234MB0#** and receive SMS confirmation: **MB0 OK.**

### MODE E

Mode E allows you to latch the relay on for a pre-set period or latch either relay on & off permanently using a simple, short SMS code. This mode can also be used in conjunction with a call mode.

To set up a pre-set latching time of 3600 seconds send the following command: **1234ME3600#1** and receive SMS confirmation: **ME3600#1 OK.**

To activate the relay for 3600 seconds send the short code **ON1** and the relay will activate for 3600 seconds.

To latch the relay on permanently (set the latch time to 0) send the following command: **1234ME0#1** and receive the following SMS confirmation: **ME0#1 OK.**

Then to latch the relay permanently on send the short code **ON1**, and to turn it permanently off send the short code **OFF1**

## SETTING UP CUSTOMISED SMS CONFIRMATIONS

The system allows up to 20 characters for each customised message.

To set the relay 1 SMS message when activated, assuming the SMS message is 'Gate opening' send the following command: **1234RL11: GATE OPENING** and receive SMS confirmation: **GATE OPENING**.

To set the relay 1 SMS message when deactivated, assuming the SMS message is 'Gate open' send the following command: **1234RL10: GATE OPEN** and receive SMS confirmation: **GATE OPEN**.

## CHECKING THE STATUS OF THE SYSTEM

To check the status of the system you would send the following SMS command as **CHK** without the need for the password and you will receive a similar SMS confirmation as:

**MODE A**

**PASSWORD 1234**

**FREE MEMORY 988**

If using a pay as you go SIM, it is important that the final user send this text once a month to prevent the SIM card from being deactivated by the network.

## CHANGING THE ADMINISTRATOR

To change the administrator, you would follow the same format 6 & 7 of the schematic on page 1.

## SPECIFICATIONS:

- **QUAD BAND MODEM**
- **12-24 VOLT DC INPUT**
- **55mA MAXIMUM, 15mA TYPICALLY (@12Vdc)**
- **1 RELAY OUTPUT N.O & N.C CONTACTS**
- **RELAY OUTPUT RATED AT 20 AMPS**
- **1000 CALLER ID NUMBERS**
- **C.E APPROVAL**
- **2 YEARS WARRANTY**