



# C Prox Ltd (inc Quantek)

Unit 11 Callywhite Business Park, Callywhite Lane, Dronfield, S18 2XP  
 +44(0)1246 417113 sales@cproxltd.com www.quantek.co.uk

## Roller Door Remote Control

### ROLLER868

#### User Manual

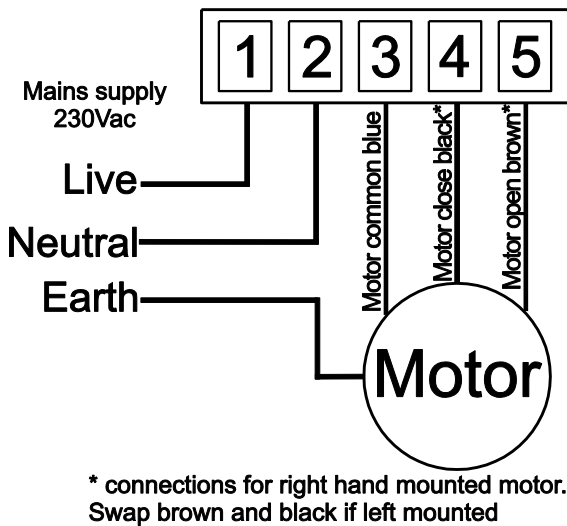


FIG1. Push to run open, deadman close

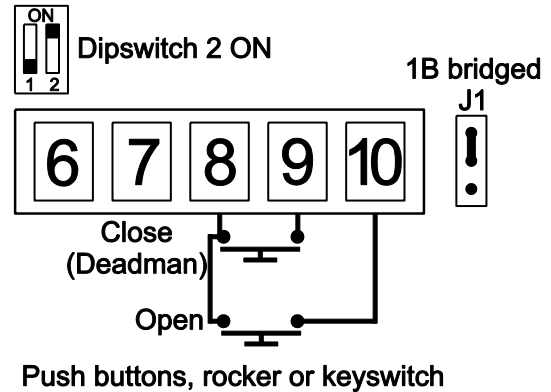


FIG2. Push to run open & close with photocells and/or safety edge

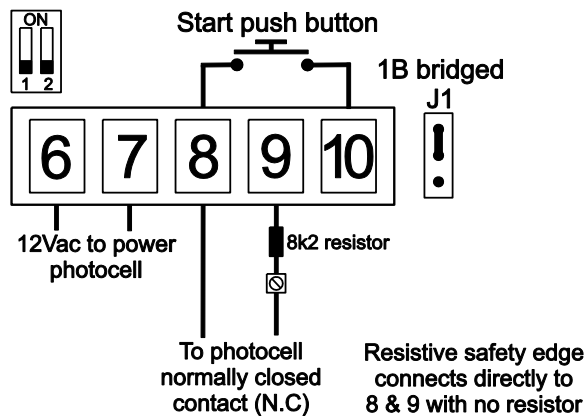
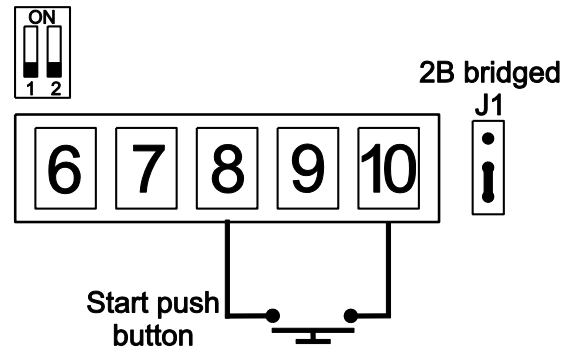


FIG3. Push to run open & close without photocells or safety edge



#### Connection Details

Connection Details		
1	Live	Power supply 230Vac
2	Neutral	
3	Motor common	Motor 230Vac Maximum power 0.75Hp, 550W
4	Motor close	
5	Motor open	
6	12Vac output	Auxiliary power output
7		12Vac 130mA max
8	Common	Common connection of safety and start push button
9	Safety	Safety input for connection of safety edge or photocells. If a non-resistive safety edge or photocells are used an 8k2 resistor must be connected in series (see diagrams). Resistor taped to enclosure cover
10	Start push button	Start push button, normally open (N.O)

## **Description**

Roller door remote control for use with 230V tubular motors up to 500W, compatible with GO and GO-MINI transmitters, GO-BUTTON wireless push button, GO-SWITCH wireless keyswitch and GO-KEY wireless keypad (push to run mode only).

## **Operating modes**

Push to run open and close, or push to run open and hold to run close (deadman), see FIG's 1, 2 and 3 for DIP switch and jumper J1 settings.

## **Photocells and safety edge**

If a non-resistive safety edge or photocells are used a 8.2K resistor must be connected in series, see FIG 2, the resistor can be found taped to the inside of the enclosure cover.

## **Autoclose**

To turn on automatic closing switch DIP switch 1 to on, the default autoclose wait time is 45 seconds, to change this see below.

## **Motor run time and autoclose wait time**

The motor run time and autoclose wait times are set to 45 seconds by default, they can be set between 1 and 120 seconds. To change the times, ensure the door is fully closed, press the red programming button (PROG) for 1 second, an audible signal will be heard, release the programming button, press the START button, the door opens and the memorising of the motor run time is started. When the door is fully open press the START button, the motor run time has been memorised and the autoclose wait timing has now started, when the required time has passed press the START button, the autoclose wait time has been memorised, the control unit exits programming mode.

## **Transmitter programming – Normal**

The receiver can learn up to 15 different transmitter codes.

Press the red programming button (PROG) for 1 second, an audible signal will be heard, release the programming button, the control unit is now in normal programming mode. Press the transmitter button that you want to operate the door, an audible signal confirms the transmitter code has been memorised, repeat for all transmitters. If 10 seconds pass without a transmitter being programmed the control unit will exit programming mode.

In deadman mode (FIG 1) the 1st transmitter button opens and the 2nd closes the door.

In push to run mode (FIG 2 & 3) the transmitter button that has been programmed operates the door in step-by-step mode, open - stop - close – stop.....

## **Transmitter programming - Open / Close**

Only applicable when operating the control unit in push to run mode, FIG's 2 & 3.

Press the red programming button (PROG) an audible signal will be heard, keep pressed until the red PROG light flashes and a second audible is heard, release the programming button, the control unit is now in open / close programming mode. Press the 1<sup>st</sup> transmitter button, an audible signal confirms the transmitter code has been memorised, repeat for all transmitters if 10 seconds pass without a transmitter being programmed, the control unit exits programming mode.

In push to run mode (FIG 2 & 3) the 1st transmitter button opens and the 2nd closes the door.

## **Remotely programming transmitters**

It is possible to program additional transmitters remotely.

Using an active transmitter, one that is already programmed, press both buttons (the buttons must both be pressed at **exactly** the same time) the control unit will emit an audible signal and is now in programming mode, press the transmitter button that you want to operate the door, an audible signal confirms the transmitter has been memorised, if 10 seconds pass without a transmitter being programmed, the control unit exits programming mode.

## **Memory reset, erasing all transmitter codes from the memory**

Press and keep pressed the red programming button (PROG) for 10 seconds, 10 'beeps' will be heard followed by a 2nd series of 'beeps' at a faster pace, the memory is now erased and the control unit is in programming mode, if 10 seconds pass without a transmitter being programmed, the control unit exits programming mode.