

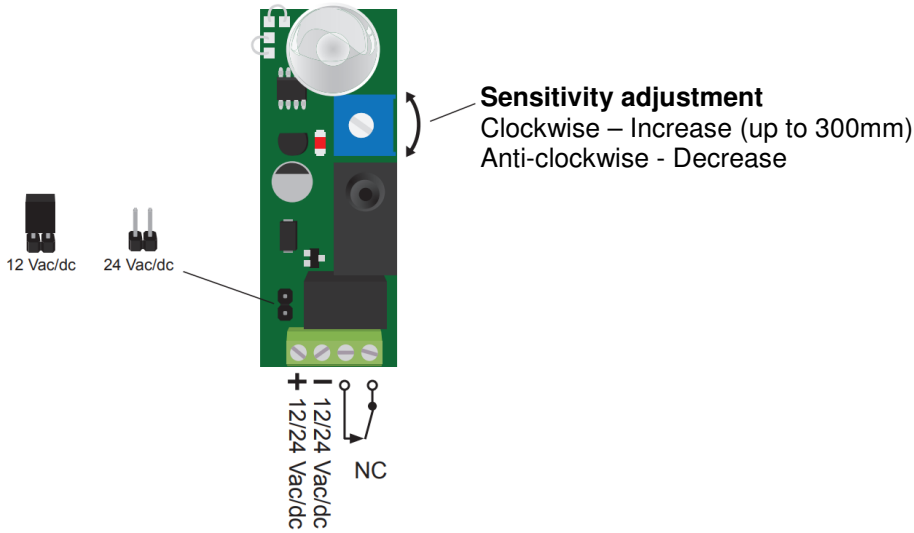


C Prox Ltd (inc Quantek)

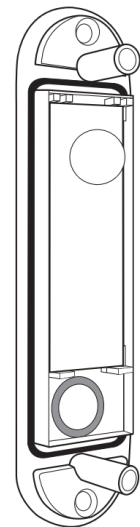
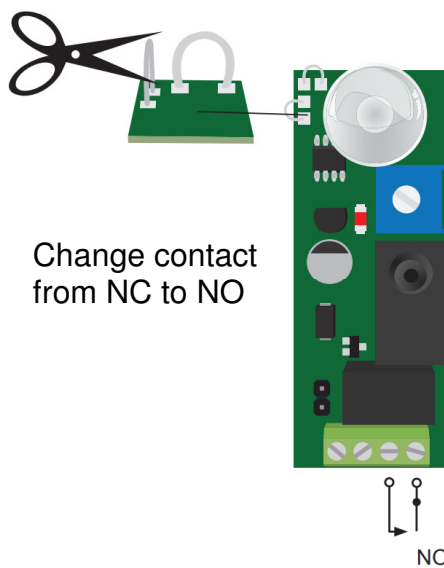
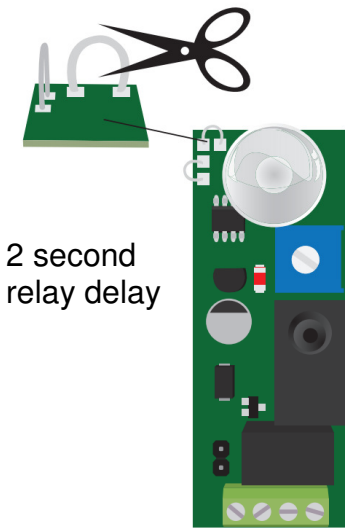
59 Sheffield Road, Dronfield, S18 2GF
+44(0)1246 417113 sales@cproxltd.com www.quantek.co.uk

PHOTO – TOUCH

Long Range Touch – Proximity switch - Infra Red adjustable technology

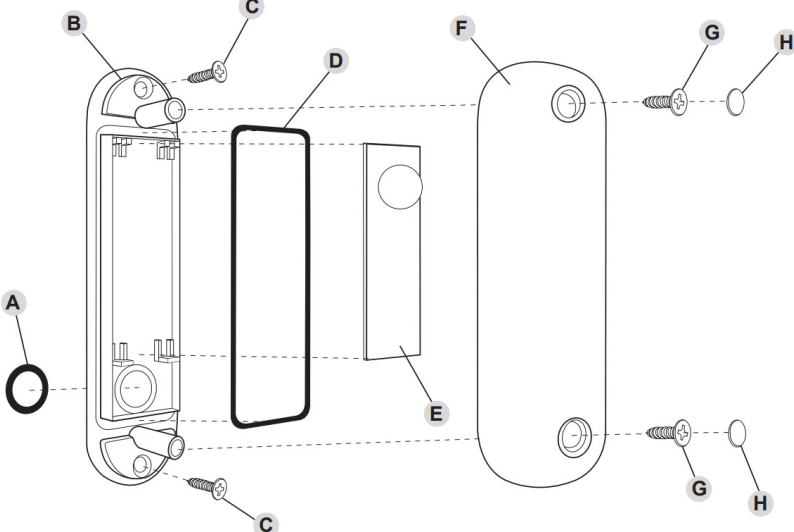


115Hx30Wx28D



For an IP65 Waterproof protection put the gasket as shown in the picture.

Assembly



- A - O-ring
- B - Base
- C - Wallmount fixing screws
- D - Gasket
- E - Circuit
- F - Cover
- G - Fixing screws cover
- H - Screw caps

