



C Prox Ltd (inc Quantek)

Touch sensors manual

Contents

1. Products details	2
1.1 Features	2
1.2 Hardwired specification	2
1.3 Radio specification	2
1.4 Receiver specification.....	2
2. Fitting instructions	3
2.1 Architrave & Round.....	3
2.2 Square	4
2.3 Single gang	5
2.4 Glass	5
3. Wiring diagrams.....	6
4. Radio programming	7
5. Contact details	8



1. Products details

1.1 Features

- Modern touch/proximity sensitive switches for activation and access control
- Available in hardwired or radio
- Choice of 316 marine grade stainless steel label, or hard coated, scratch resistant, anti-microbial Steritouch anti-reflective acrylic label
- Customised labels available
- Anti-microbial housings using Steritouch technology
- Entire label is touch sensitive
- Weatherproof

1.2 Hardwired specification

- 12-28Vdc
- Sensitivity adjustment (Touch to handsfree)
- Timed clean relay output
- Selectable red, green or blue LED's
- Sounder on activation

1.3 Radio specification

- 868MHz
- 4 x AA batteries
- Approximately 100,000 operations
- Sounder & green LED on activation
- Battery saving design, unit will only activate once if hand left on

1.4 Receiver specification

- 12/24Vdc
- 868MHz
- 2 channel
- Momentary/bi-stable selectable relays
- Relay rating 1A@24Vdc
- 200 code memory

2. Fitting instructions

2.1 Architrave & Round

Ascertain the fixing height

Use the back plate to mark cable hole and screw fixing points, round unit can be angled towards approaching users

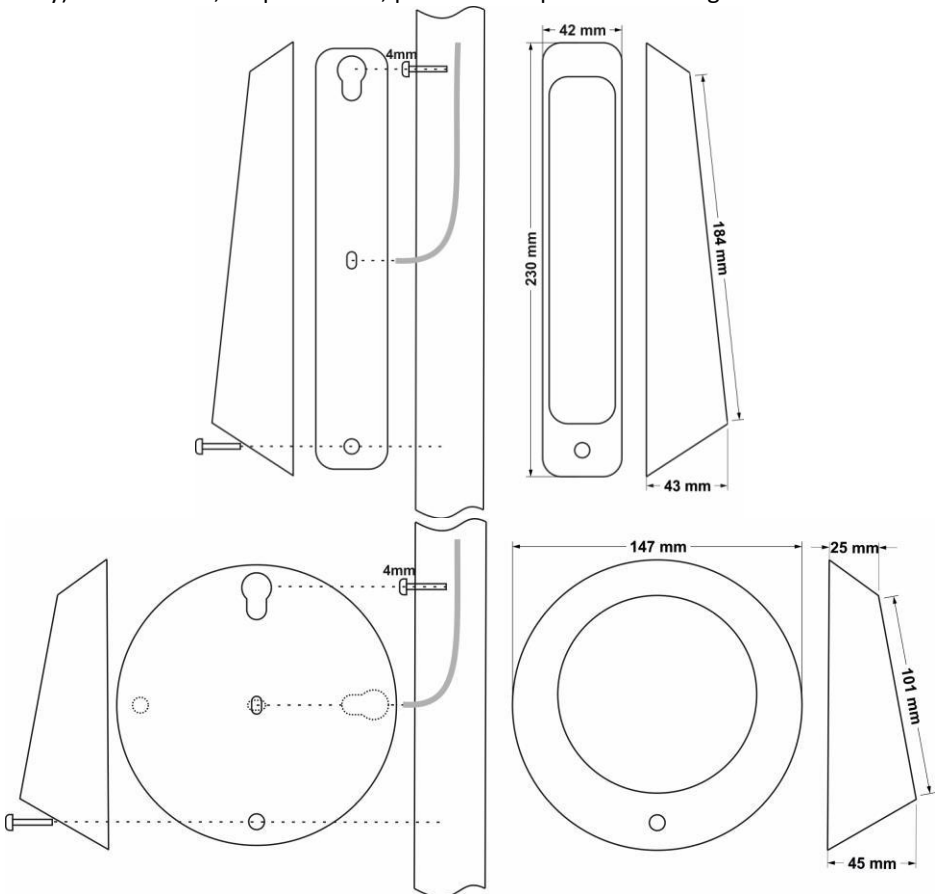
Fix the top retaining screw (No 8 or 10) leaving 4mm of screw shaft protruding

Fit the back seal to the rear of back plate (if being used externally)

Place the cable through back plate and make connections (see page 6) or connect battery clip and program to receiver (see page 7)

Place the back plate in position, hook unit onto the top retaining screw and fit the bottom retaining screw

Remove the yellow adhesive backing(s) and carefully attach the label (round only). If hardwired, de-power first, power back up after attaching the label



2.2 Square

Remove the signage plate by unscrewing the two security screws with driver provided

Ascertain the fixing height

Use the housing to mark the four fixing points

Use 20mm knockout and place cable through if hardwiring

Remove paper backing from the seal on the back of the box (leave in place if securing to a wallpapered surface) and secure box to the wall with 4 x No8 screws

Make connections (see page 6) or connect battery clip and place battery holder in the marked compartment on the right of the box, then program into the receiver (see page 7)

Place the signage plate back into the box and insert the two security screws. If hardwiring, remove the paper backing from the signage plate. If radio leave the paper backing in place to allow easy removal when changing batteries

To remove signage plate in order to change batteries, remove security screws, insert a small screwdriver into the corner and gently lever out

Do not over tighten screws!

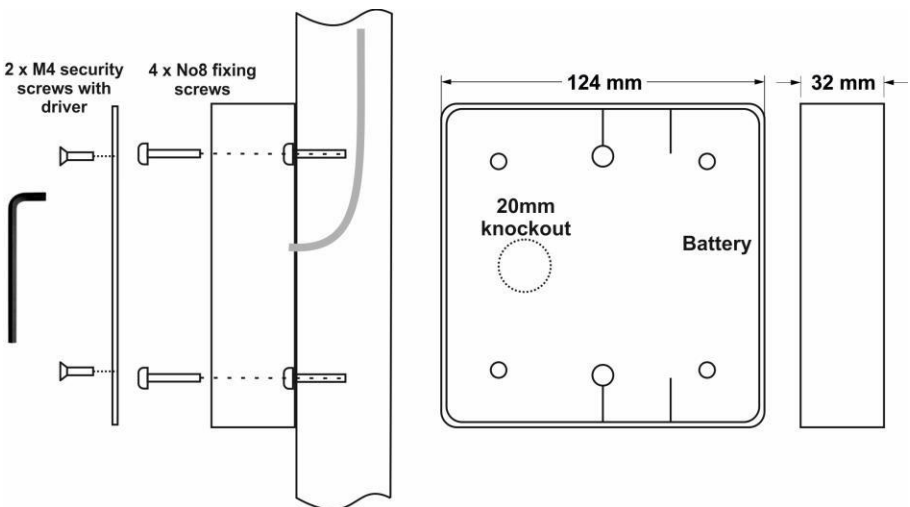
Illuminated:

Fit box to the wall as above

Make connections (see page 6). LED connections go to LED panel rather than TS PCB

Place signage plate back in the box and insert the two security screws

Important! If using an acrylic label, ensure the unit is fully functional. De-power, remove the yellow adhesive backing and carefully attach the label. Power up



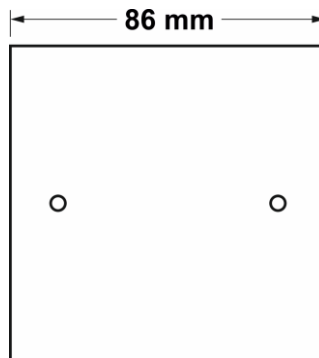
2.3 Single gang

Internal quality only

Fits any UK plastic or metal back-box, surface or flush

Attach the back-box to wall. If radio, the battery holder is Velcroed to the back box for easy removal

Place the cable through and make connections (see page 6) or remove the paper strip from the battery holder and program into the receiver (see page 7). Then stick the battery holder into the back box.



Attach the plate to box using the two 3.5mm screws supplied

If the label is supplied unattached, ensure unit is fully functional. De-power, remove the yellow adhesive backing and carefully attach the label, power up (only applies to some hardwired units)

2.4 Glass

Please note this unit will not function on UPVC door sets or if glass has been treated with any metallic element

Choose location and height

If hardwiring, drill a hole in the side of the box for cable entry

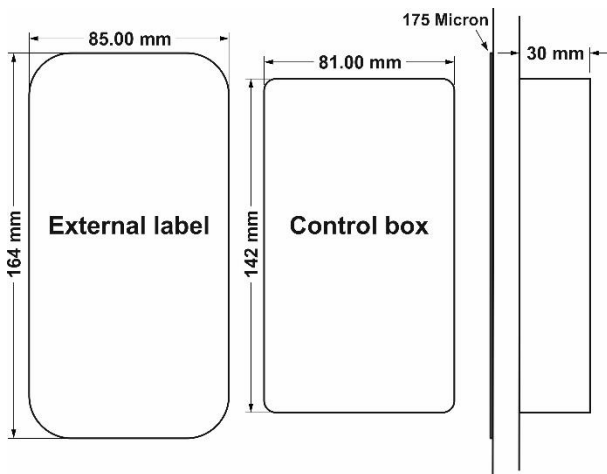
Clean & dry glass

Remove the yellow adhesive backing from the label and adhere it to the outside of the glass, applying pressure all over to ensure adhesion

Remove the yellow adhesive backing from the control box and adhere it to the inside of the glass, in the centre of the external label

Insert the cable through the hole and make connections (page 6) or connect the battery clip and program into the receiver (page 7)

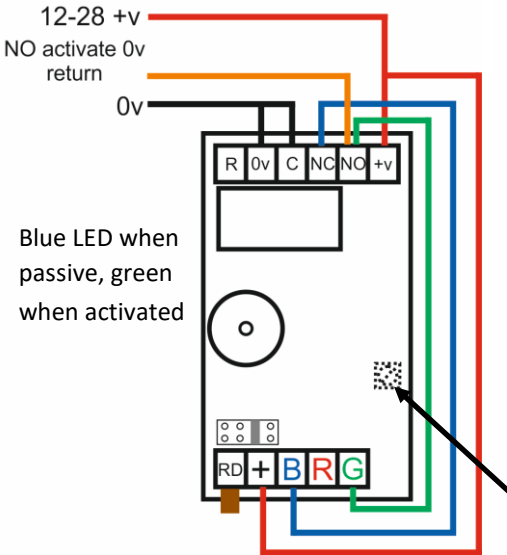
Put the back of the box in place and tighten the 4 screws



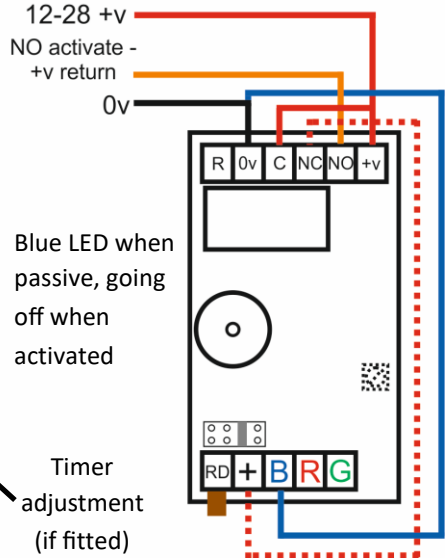
3. Wiring diagrams

Diagrams below show wiring for hardwired sensors. Alter LED colour configuration as required.

Normally open contacts. 0v return



Normally open contacts. +v return

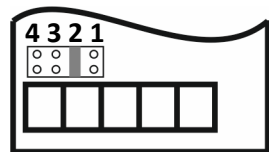


If using a square illuminated unit, connect LED wires to the terminals marked on the LED panel PCB, rather than the touch sensor PCB.

Sensitivity adjustment:

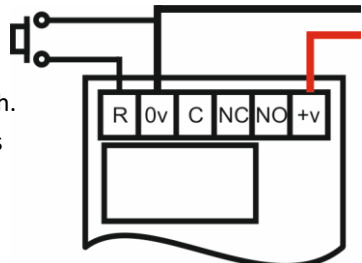
It is possible to alter the sensitivity of the unit. To do this, remove power and reposition jumper

High--Low



Remote switch:

It is also possible to connect a remote release switch. Momentary normally open switch connected across 0v and R



Note: Never connect anything to RD terminal

4. Radio programming

Supply receiver with 12/24Vdc, power LED will light if powered correctly

Wire relay outputs to activate terminals on the system (clean, normally open contacts)

Press and release the learn button, the learn LED will light up for 10 seconds

Within the 10 seconds operate the touch sensor

The learn LED will flash to confirm it has programmed

Note: Standard touch sensors program to channel 1

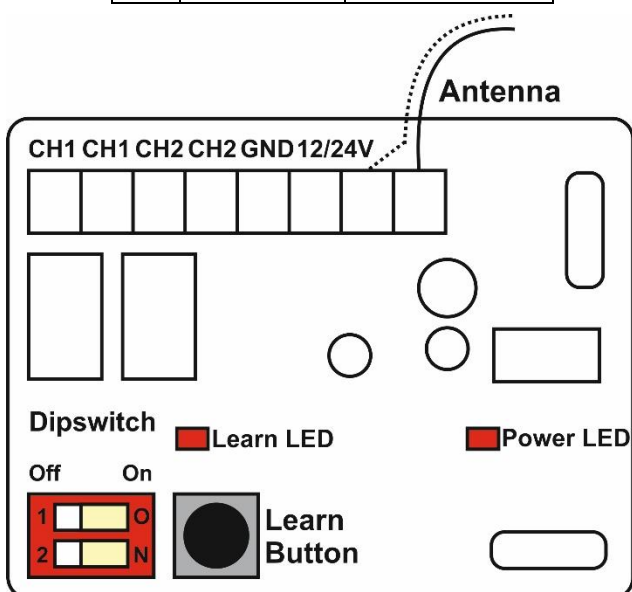
We can supply touch sensors with a dipswitch to select channel 1 or 2, but this must be specified when ordering. Dipswitch position: ON = CH1, OFF = CH2

It is also possible to program our handheld and desk mount transmitters (CFOB, FOB-M, FOB4-M, DDA1, DDA2) into this receiver using the same method. See transmitter box for more details

Reset:

To reset the receiver, press and hold the learn button for 10 seconds until the learn LED starts flashing. After this the memory will be deleted

Dipswitch settings		
	ON	OFF
1	CH1 - Bi-Stable	CH1 - Momentary
2	CH2 - Bi-Stable	CH1 - Momentary



5. Contact details

Address:

C Prox Ltd
11 Callywhite Business Park
Callywhite Lane
Dronfield
S18 2XP

Telephone: +44(0)1246 417113

Email: sales@cproxltd.com

Website: www.quantek.co.uk